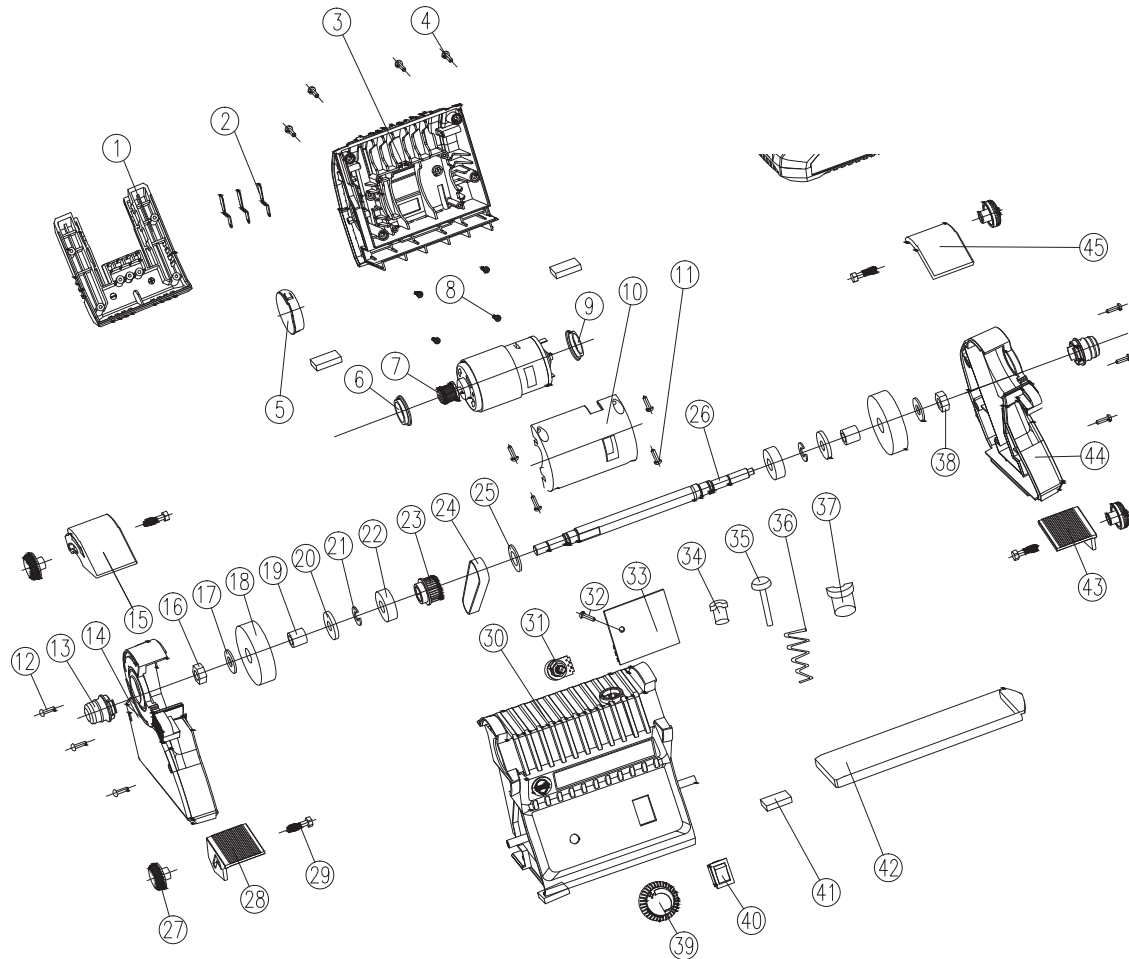


EXPLODED DRAWING



SPARE PARTS LIST

45	Right Cover Plate	1
44	Right Cover Plate	1
43	Right Support Plate	1
42	Dust Chamber	1
41	Pad	4
40	Switch	1
39	Knob	1
38	Nut	1
37	Right Shield	1
36	Spring	1
35	Locking Pin	1
34	Left Shield	1
33	PCB Camponets	1
32	Screw	1
31	Potentiometer	1
30	Front Housing	1
29	Screw	4
28	Left Support Plate	1
27	Knob	4
26	Main Shaft	1
25	Belt Wheel Catch	1
24	Rubber Belt	1
23	Big Belt Wheel	1
22	Bearing	2
21	Check Ring	2
20	Washer	2
19	Base	2
18	Grinding Wheel	2
17	Washer	2
16	Nut	1
15	Left Guard Plate	1
14	Left Cover Plate	1
13	Shaft End Cap	2
12	Screw	6
11	Screw	4
10	Motor Cover	1
9	Motor Lamping Ring	1
8	Screw	4
7	Motor	1
6	Motor Lamping Ring	1
5	Hole Cap	1
4	Screw	4
3	Back Cover	1
2	Electrode Slice	3
1	Battery Pack Drill Holder	1
Part No	Description	Qty